

Z500

PS, PS/L, PSN, PSN/L

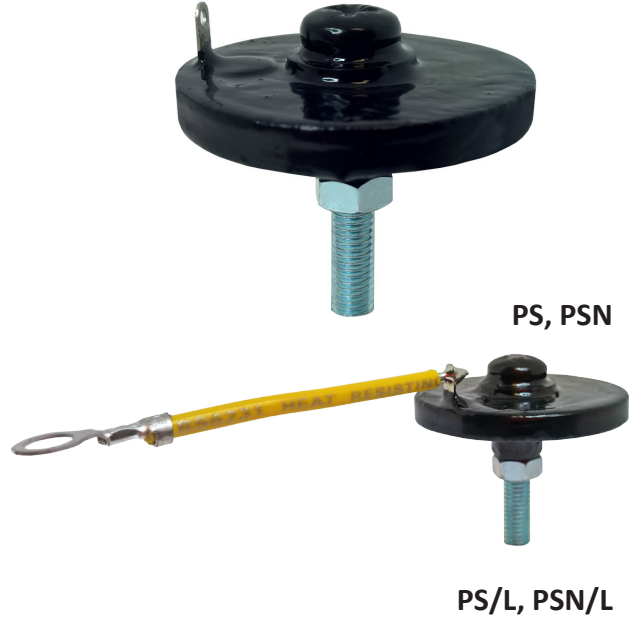
Metal Oxide Varistors (MOV) Assemblies



A range of higher energy metal oxide based overvoltage protection devices that have uses in a variety of applications.

Specification

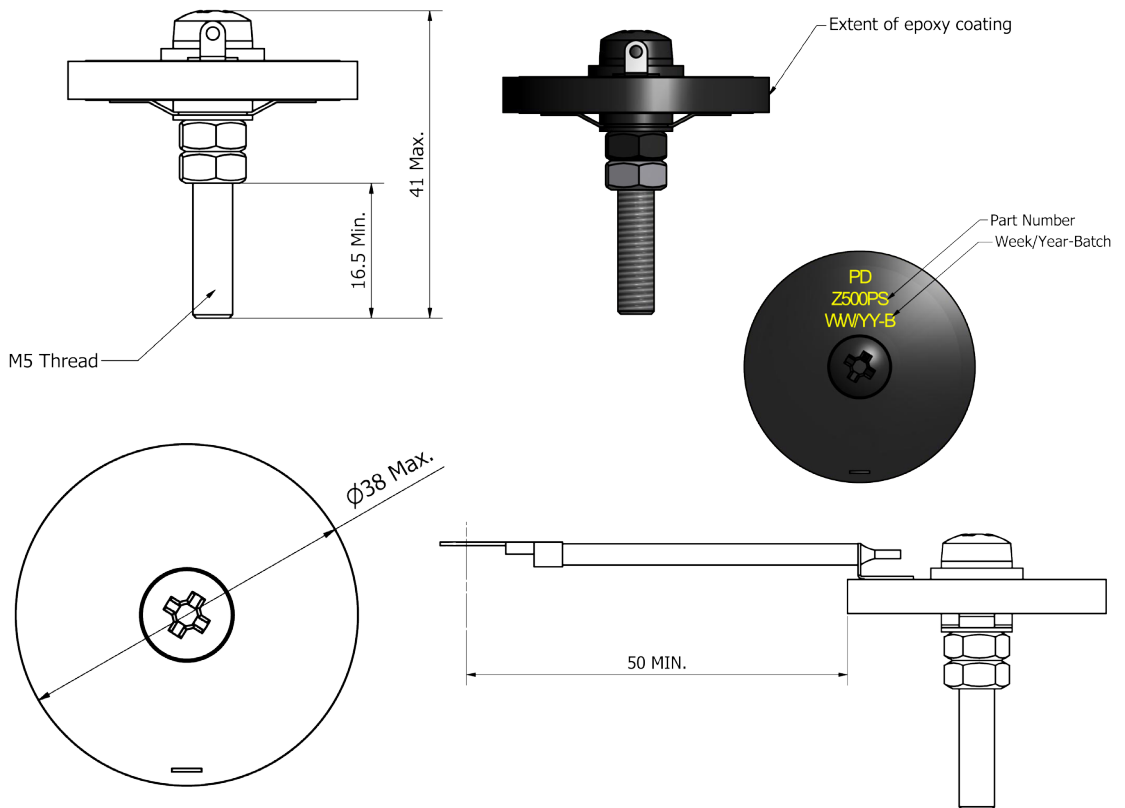
Part Code	U _c AC rms	U _c DC	Min. DC voltage @ 1mA	Energy (10/1000)	Test current		Typical Capacitance (1kHz)	Peak Current (8/20)
	V	V			V	V		
Z500PS	550	715	800	420	1365	100	1940	12
Z500PS/L	550	715	800	420	1365	100	1940	12
Z500PSN	550	715	800	420	1365	100	1940	12
Z500PSN/L	550	715	800	420	1365	100	1940	12



PSN Grouping

Part Code	1mA DC Range
	V
Z500PSF	815 - 823
Z500PSG	824 - 832
Z500PSH	833 - 841
Z500PSA	842 - 850
Z500PSB	851 - 859
Z500PSC	860 - 868
Z500PSD	869 - 876

Dimensions in mm



Revision: vPD3, 26/06/19
Information subject to change without notice.

All of the above information, including drawings, illustrations and graphic designs, reflects our present understanding and is to the best of our knowledge and belief correct and reliable. Users, however, should independently evaluate the suitability of each product for the desired application.



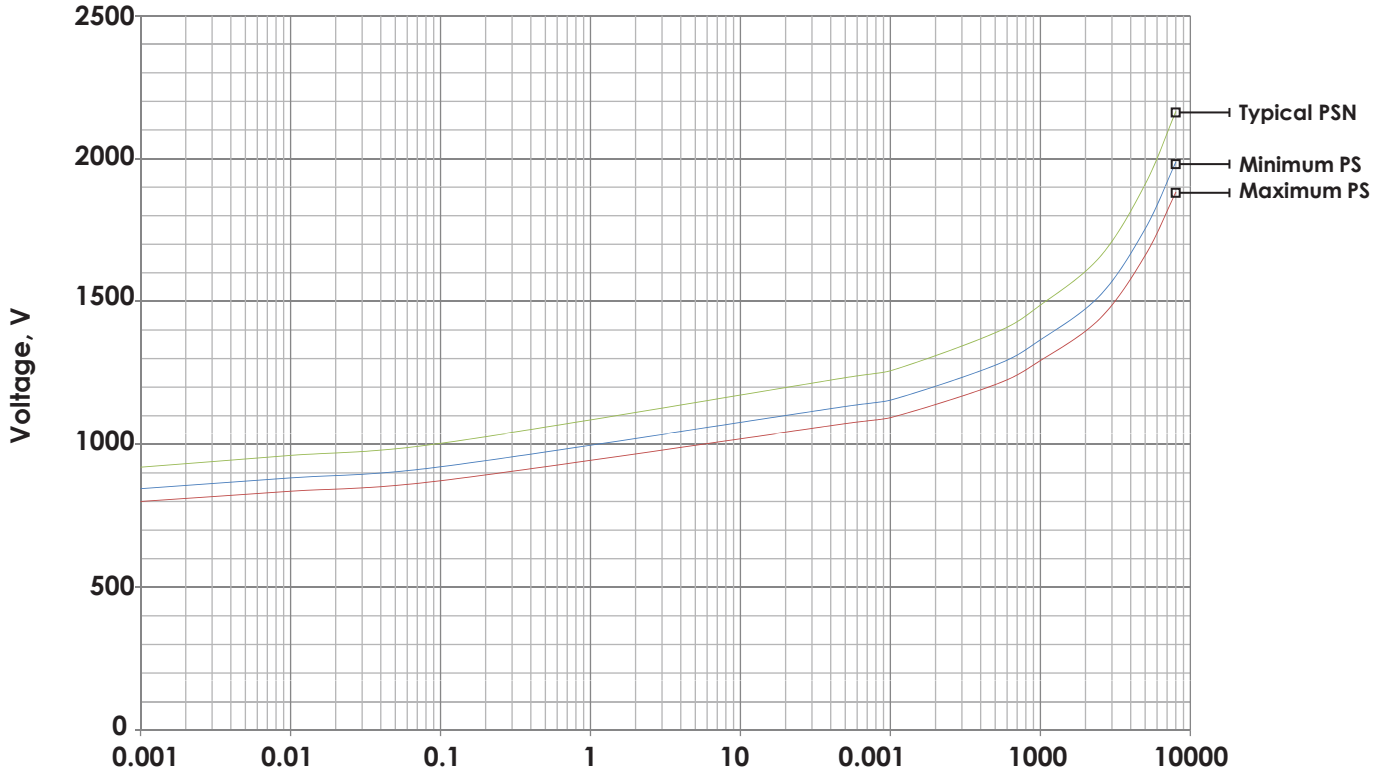
Z500

PS, PS/L, PSN, PSN/L

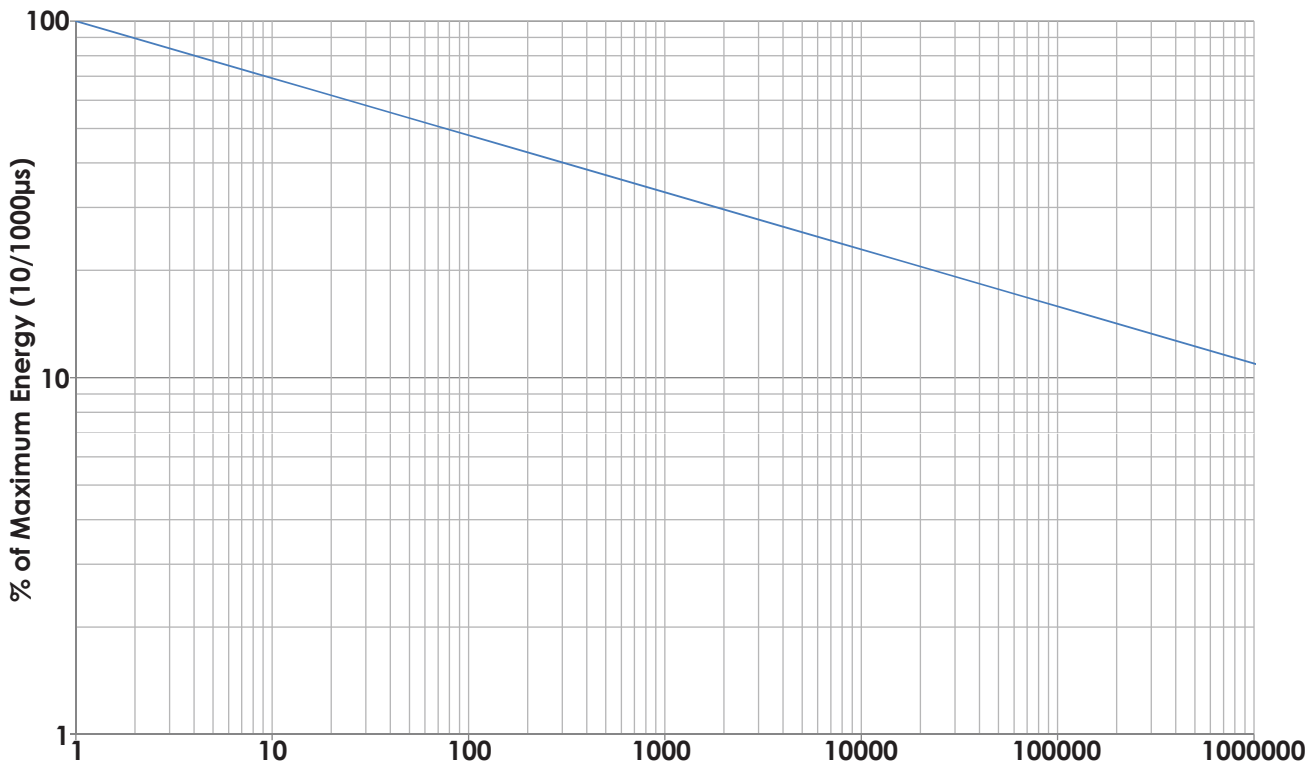
Metal Oxide Varistors (MOV) Assemblies



Typical V/I Curve



Pulse Lifetime Curve



Revision: vPD3, 26/06/19
Information subject to change without notice.

All of the above information, including drawings, illustrations and graphic designs, reflects our present understanding and is to the best of our knowledge and belief correct and reliable. Users, however, should independently evaluate the suitability of each product for the desired application.

